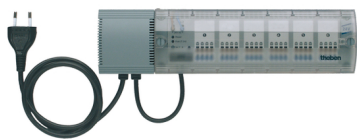


Description

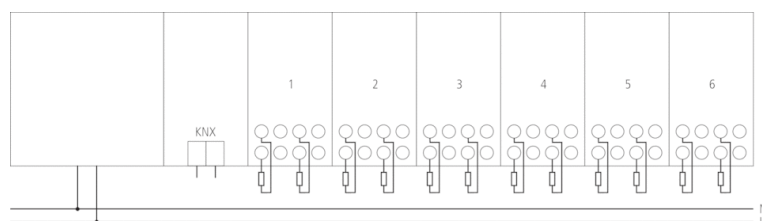


- Heating actuator
- 6-way
- Can be installed directly on a wall or a rail in the heating circuit distributor
- Mains plug on transformer for easy installation
- Screwless terminal technology
- Integrated power supply for a maximum of 13 thermal actuators
- Silent semiconductor switch (triac)
- For integrating boiler control
 - Summer mode and valve protection
- Continuous or switching actuating value selectable
 - Emergency program in case of bus and telegram failure
 - Compulsory object for each channel

Technical data

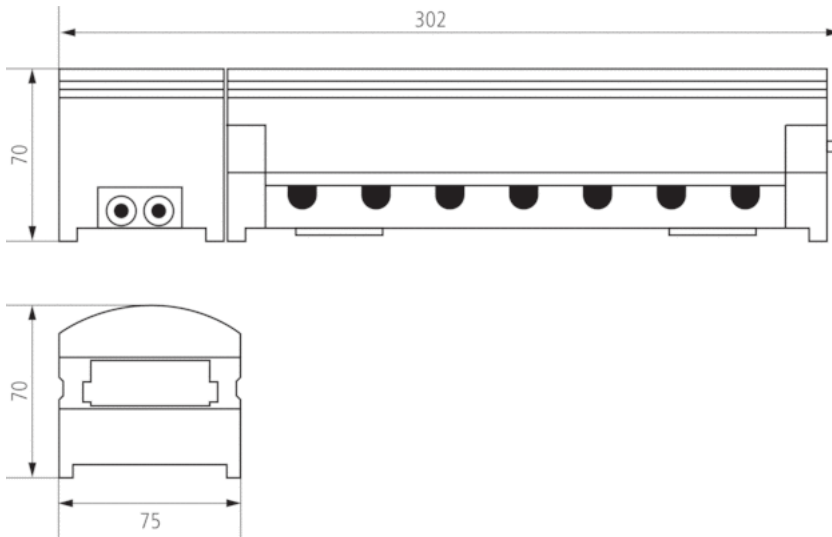
Operating voltage KNX	Bus voltage, ≤10 mA
Operating voltage	230 V AC
Stand-by consumption	4 W
Frequency	50 – 60 Hz
Number of channels	6
Max. number of drives	13
Installation type	Wall installation
Type of connection	Screw terminals
Max. cable cross section	Solid wire 0.5- 1.5 mm ² , Flexible lead 1.0- 1.5 mm ²
Output	Triac
Fuse	T 2 A
Max. power consumption	50 W
Number of optional heating programs	2
Ambient temperature	-5 °C ... +50 °C
Type of protection	IP 20
Protection class	II according to EN 60 730-1

Connection example



Article number: 4900273

Scale drawings



Accessories

Actuator ALPHA 4 24 V

- Article number: 9070439
Details ▶ www.theben.de

